


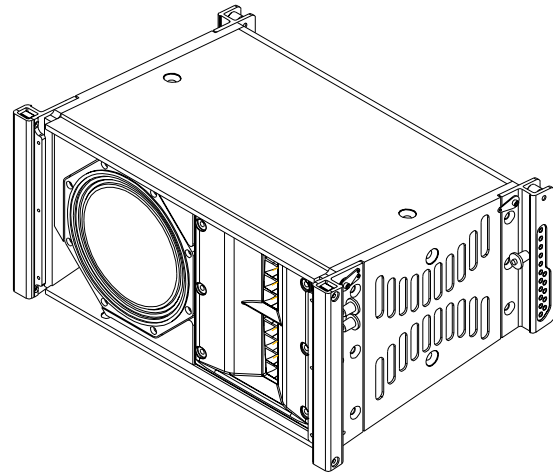


XLE181
2-Way, High-Output,
Very Compact
Line-Array Element



Key Features:

- **Very Compact, Lightweight**
- **Simple, Quick Integrated Rigging**
- **120° Horizontal Coverage**
- **Versatile Subwoofer Integration**
- **Bi-Amp or Full-Range Operation**
- **Neodymium Transducers**
- **LAPS Aiming and Flying Software**



General Description:

EV engineers have defined a new group of Very Compact line array elements, X-Line Very Compact. It is comprised of the models; XLD281 full range, XLE181 full range, and the XS212 sub woofer. The XLE181 is a 2 –way using a single 8" neodymium LF transducer and two neodymium 2" voice coil compression drivers combining through 2 hydra® plane wave generators into a 120° x 10° waveguide. The XLE181 can be used in bi-amp or full-range modes using a sophisticated internal passive network. Designed for use in arrays of four or more elements. The XLE181 delivers full bandwidth audio with precise, predictable coverage control. Integrated rigging with hinge points located correctly between array elements is simple to use and quickly provides uncompromised line array performance. Ground stacking is easily done using Array Rails or subwoofers as the array base.

Most applications using flown very compact elements require subwoofers integrated into the same array as the full range systems. The XS212 sub woofer arrays can be created and flown behind the XLE181 full range array using an additional grid and a Coupler Beam. LAPS modeling software quickly provides array configurations and rigging information.

X-Line Very Compact delivers unprecedented performance in applications ranging from live reinforcement to performing arts venues, to houses of worship.

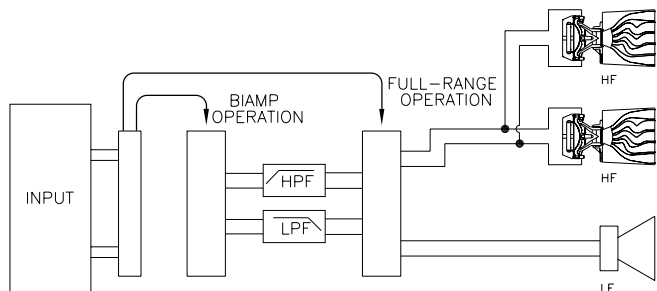
Technical Specifications:

Freq. Response ¹ (-3 dB):	90 Hz-18 kHz
Freq. Range ¹ (-10 dB):	75 Hz-20 kHz
Max Calculated SPL ¹ :	132 dB Cont., 138 dB Pk
Horizontal Coverage:	120°
Vertical Coverage:	Array Dependant, Software Definable
Rigging:	Fully Captive Aluminum, 1° increments, 16 elements with 8 to 1 Safety Factor
LF Power Handling:	200W Cont., 800W Peak
HF Power Handling:	80W Cont., 320W Peak
Sensitivity ¹ :	112 dB
LF to HF Crossover Freq ² :	1600 Hz
LF Passband:	1 x 8" DVN2080, 16 ohms
Recommended Amplifier:	EV CP3000S
HF Passband:	2 x ND2S, 16 ohms
Recommended Amplifier:	EV CP3000S
Connectors:	2 x NL8
Enclosure Material:	Birch plywood w/Futura
Grille:	Zinc plated steel with powdercoat paint
Environmental Spec:	IEC 529 IP24, MIL 810
Dim (HxWxD):	9.90" x 20.30" x 14.52" (251 x 516 x 369 mm)
Net Weight:	38 lbs (17.2 kg)
Shipping Weight:	41 lbs (18.4 kg)

¹ Full Space Measurement of 4 Elements.

² Use EV or KT Signal Processing or Download Presets from Electro-Voice Website.

Block Diagram:



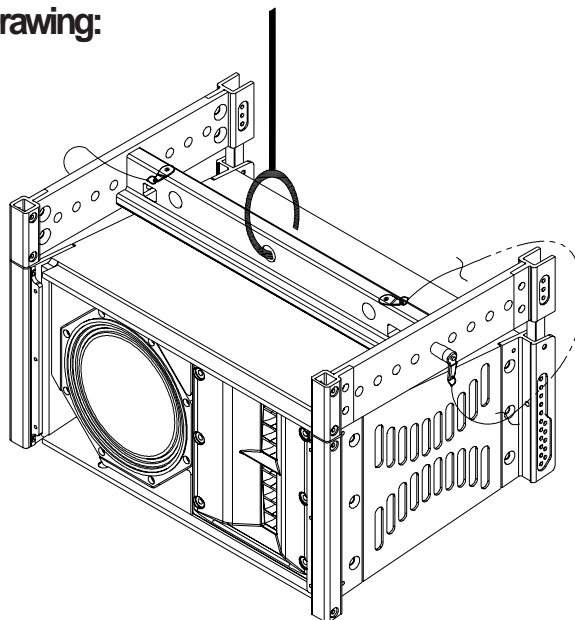
Connection Chart
(Pins 1 & 2 Pass Through)

Full-Range		Biamp	
LF:	Pins 3	LF/HF:	Pins 3
HF:	Pins 4	Pins 4 Pass Through	

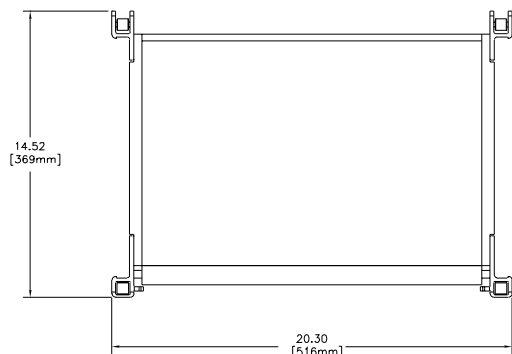
Beamwidth:

Graph Not Yet Available

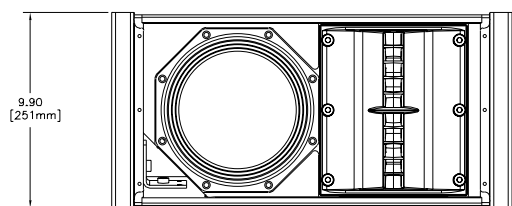
Grid Drawing:



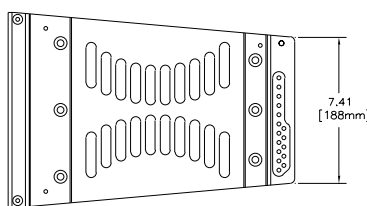
Dimension Drawings (inches/metric):



Top



Front



Side

Performance Match:

- XS212 - Dual 12" Side-Firing Line Array Bass Element
- CP3000S - Precision Series™ Power Amplifier
- P3000RL - Precision Series™ Remote Control Power Amplifier
- P1200RL - Precision Series™ Remote Control Power Amplifier
- Dx38 - Digital Sound System Controller
- DN9848 - Digital Sound Controller
- XLE-Dolly - 4-Tall Bottom Dolly for Rigging and Transporting
- XLE Series Grid - Grid for Hanging XLE Line-Arrays

XLE181 Part Number:

- XLE181 - 301792-001



12000 Portland Avenue South, Burnsville, MN 55337
Phone: 952/884-4051, Fax: 952/884-0043

www.electrovoice.com

© Telex Communications, Inc. 1/2005

Part Number 38110-431 Rev 1

U.S.A. and Canada only. For customer orders, contact Customer Service at:

800/392-3497 Fax: 800/955-6831

Europe, Africa, and Middle East only. For customer orders, contact Customer Service at:

+ 49 9421-706 0 Fax: + 49 9421-706 265

Other International locations. For customer orders, contact Customer Service at:

+ 1 952 884-4051 Fax: + 1 952 736-4212

For warranty repair or service information, contact the Service Repair department at:

800/685-2606

For technical assistance, contact Technical Support at: 866/78AUDIO

Specifications subject to change without notice.